



THERMOSTATIC AIR VENT FOR STEAM

MODEL LA13L BRASS

Features

Balanced pressure thermostatic air vent with fail-open feature for steam.

1. Vents air automatically until close to steam temperature.
2. Compact yet with high capacity.
3. Reacts immediately to changes in operating conditions.
4. Easy to maintain and easy to clean.
5. Hardened stainless steel valve seat.
6. Tight shut-off.



Specifications

Model	LA13L	
Connection	Screwed	
Size	1/2", 3/4"	
Maximum Operating Pressure (barg)	PMO	13
Minimum Operating Pressure (barg)		0.1
Maximum Operating Temperature (°C)	TMO	200
Subcooling of X-Element Fill (°C)		up to 22
Type of X-Element		T

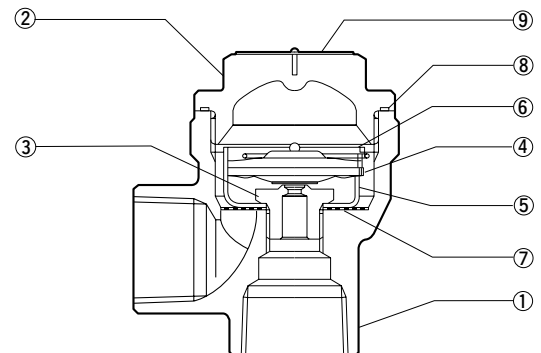
PRESSURE SHELL DESIGN CONDITIONS (**NOT** OPERATING CONDITIONS): Maximum Allowable Pressure (barg) PMA: 16 1 bar = 0.1 MPa
Maximum Allowable Temperature (°C) TMA: 220



To avoid abnormal operation, accidents or serious injury, DO NOT use this product outside of the specification range. Local regulations may restrict the use of this product to below the conditions quoted.

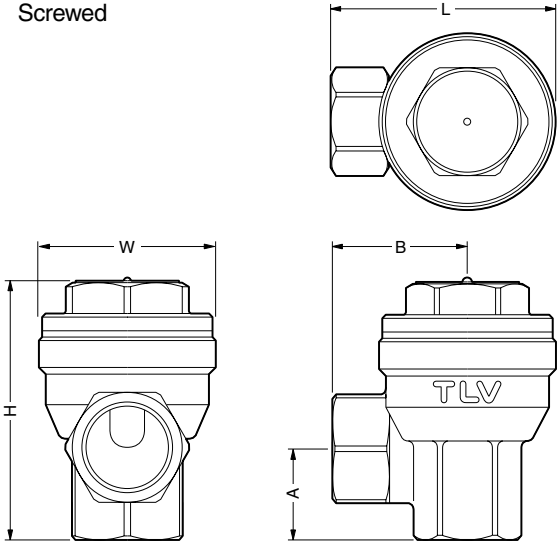
No.	Description	Material*	DIN	ASTM/AISI
①	Body	Brass C3771	2.0380	B124 C37700
②	Cover	Brass C3771	2.0380	B124 C37700
③	Valve Seat	Stainless Steel SUS420F	1.4028	AISI420F
④	X-Element	Stainless Steel	—	—
⑤	X-Element Guide	Stainless Steel SUS304	1.4301	AISI304
⑥	Spring Clip	Stainless Steel SUS304	1.4301	AISI304
⑦	Screen	Stainless Steel SUS304	1.4301	AISI304
⑧	Cover Gasket	Fluorine Resin PTFE	PTFE	PTFE
⑨	Nameplate	Stainless Steel SUS304	1.4301	AISI304

* Equivalent materials



Dimensions

● **LA13L**
Screwed

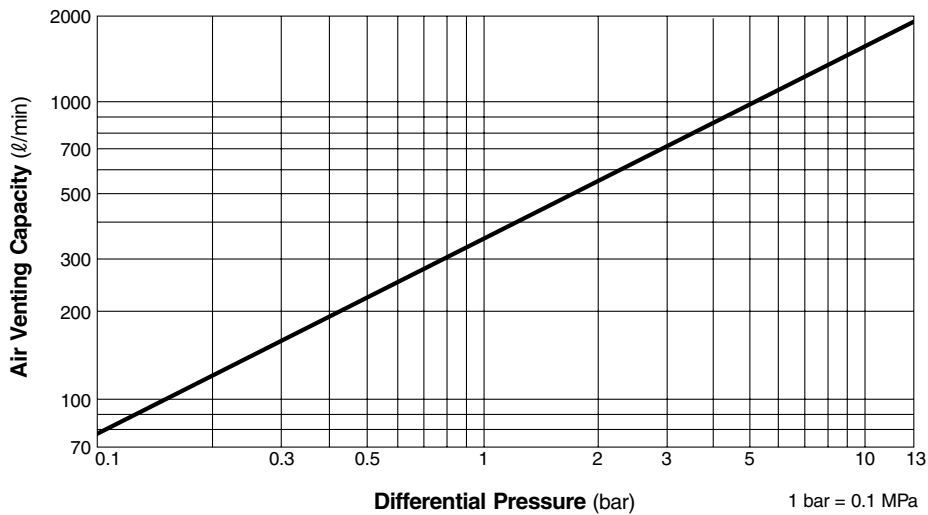


LA13L Screwed* (mm)

Size	L	H	ϕW	A	B	Weight (kg)
1/2"	64	70	52	20	38	0.5
3/4"	66	77		27	40	

* BSP DIN 2999, other standards available

Air Venting Capacity



1. Differential Pressure is the difference between the inlet and outlet pressure of the air vent.
2. Capacities are equivalent capacities of standard air (air at 20 °C and atmospheric pressure).

Manufacturer

ISO 9001/ISO 14001

TLV® CO., LTD.
Kakogawa, Japan

is approved by LRQA Ltd. to ISO 9001/14001

