



BALL VALVE

MODEL BV1 STAINLESS STEEL

Features

All stainless steel full bore ball valve of 3-piece design for steam, water, air, liquids and gases*

1. Valve seats made of heat resistant carbon-filled PTFE.
2. Stem is double-sealed with a heat resistant carbon-filled PTFE gland and two FPM O-rings.
3. All internal body surfaces machined.



* Consult TLV for toxic, flammable, or otherwise hazardous liquids or gases.

Specifications

Model	BV1	
Connection	Screwed	
Valve Port	Full Bore	
Size	1/2", 3/4", 1", 1 1/4", 1 1/2", 2", 2 1/2", 3"	
Maximum Operating Pressure (barg) PMO	10	
Maximum Operating Temperature (°C) TMO	185	

PRESSURE SHELL DESIGN CONDITIONS (**NOT** OPERATING CONDITIONS):

Maximum Allowable Pressure (barg) PMA: 10

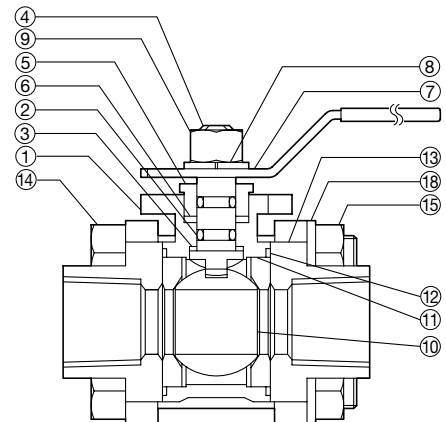
Maximum Allowable Temperature (°C) TMA: 185

1 bar = 0.1 MPa



To avoid abnormal operation, accidents or serious injury, DO NOT use this product outside of the specification range. Local regulations may restrict the use of this product to below the conditions quoted.

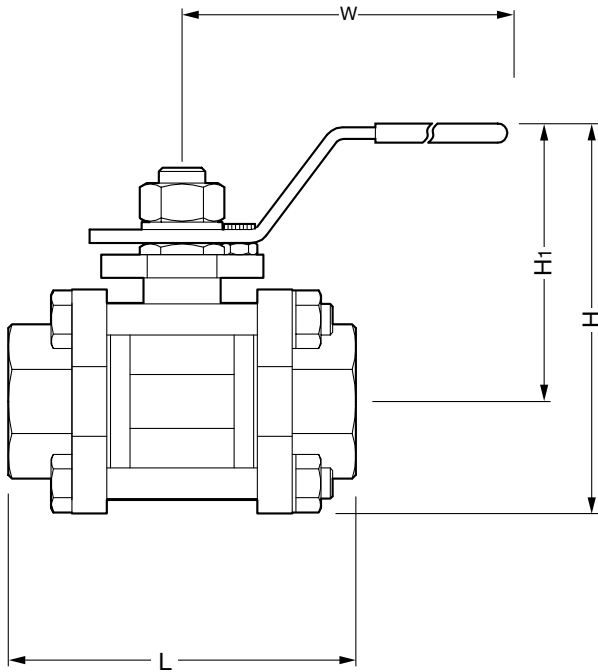
No.	Description	Material*	DIN	ASTM/AISI
①	Body	Cast Stainl. Steel A351 Gr. CF8M	1.4410	A351 Gr. CF8M
②	Stem Seal O-Ring	Fluorine Rubber FPM	FPM	FPM
③	Thrust Washer	Carbon-filled PTFE	PTFE	PTFE
④	Stem	Stainless Steel SUS316	1.4401	AISI316
⑤	Gland	Stainless Steel SUS304	1.4301	AISI304
⑥	Gland Packing	Carbon-filled PTFE	PTFE	PTFE
⑦	Handle	Stainless Steel SUS304	1.4301	AISI304
⑧	Spring Washer	Stainless Steel SUS304	1.4301	AISI304
⑨	Handle Nut	Stainless Steel SUS304	1.4301	AISI304
⑩	Ball	Cast Stainless Steel A351 Gr. CF8M	1.4410	A351 Gr. CF8M
⑪	Valve Seat	Carbon-filled PTFE	PTFE	PTFE
⑫	Body Gasket	Fluorine Resin PTFE	PTFE	PTFE
⑬	Body End Cap	Cast Stainl. Steel A351 Gr. CF8M	1.4410	A351 Gr. CF8M
⑭	Body Bolt	Stainless Steel SUS304	1.4301	AISI304
⑮	Body Nut	Stainless Steel SUS304	1.4301	AISI304
⑯	Handle Stop Nut**	Stainless Steel SUS304	1.4301	AISI304
⑰	Stop Nut Bolt**	Stainless Steel SUS304	1.4301	AISI304
⑱	Spring Washer**	Stainless Steel SUS304	1.4301	AISI304



* Equivalent materials ** Sizes 1/2" - 2", shown overleaf

Dimensions

● **BV1** Screwed



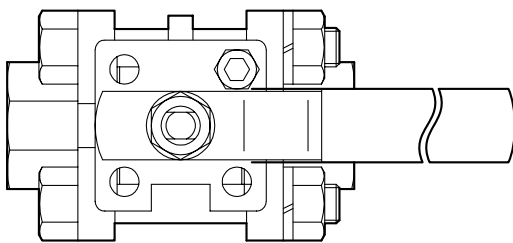
BV1 Screwed*

(mm)

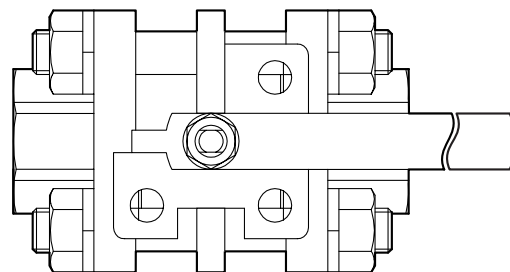
Size	L	H	H ₁	W	Weight (kg)
1/2"	71	80	55	100	0.6
3/4"	81	87	60	130	0.8
1"	90	101	72	150	1.1
1 1/4"	104	115	78		1.9
1 1/2"	116	127	86	180	2.6
2"	133	141	94		3.8
2 1/2"	168	194	135	260	7.4
3"	189	215	145		11

* BSP DIN 2999

Sizes 1/2" - 2"



Sizes 2 1/2" - 3"



ISO 9001/ISO 14001

TLV® CO., LTD.
Kakogawa, Japan
is approved by LRQA Ltd. to ISO 9001/14001

